

## Portable 3G/HD/SD Generation, Analysis & Video/Audio Monitoring



### SxA Overview

**PHABRIX's SxA is a 3G-SDI, HD-SDI and SD-SDI portable video test signal generator, monitor and analyzer.**

With its impressive 4.3 inch 16:9 TFT monitor and easy to control menu buttons, the PHABRIX SxA has been designed specifically for the professional broadcast engineer.

The SxA offers advanced signal generation, analysis and monitoring capabilities. There's support for SMPTE compliance testing with over 350 different formats. Configured with a full range of test patterns, both static and animated, the SxA is ideal for studio, OB, and lab environments operating from either the internal battery or via the included mains adaptor.

An extensive array of video and audio tools include a multi-format waveform, vectorscope and video display, plus data view and VANC/ANC inspector. Over 350 formats are supported for compliance monitoring. Signal generation offers 32 test patterns, including pathological.

The SxA features support for 16-channel audio metering and bitstream generation and analysis of Dolby E, Dolby Digital and Dolby Digital Plus. Embed a single external 48kHz synchronous AES stream into the generated video stream, as well as extract embedded audio and export it via the AES output.

Advanced AV Delay Generation and Analysis tools offer an end-to-end solution for the measurement of Audio to Video differential delay through a broadcast system. The tool provides a realtime update of the differential delay between the video content and the selected audio channel pair to measure the propagation (latency) or pipeline delay.

With a built-in TCP/IP interface for remote control and comprehensive status logging with custom reports, the PHABRIX SxA offers unmatched ease of use for busy engineers who need to diagnose faults and assure compliance quickly.

### SxA Key Features

- 3 in 1 Generator, Analyzer, Monitor
- 3G-SDI, HD-SDI, SD-SDI, AES
- High quality 16:9 picture monitor
- Superior ease of use
- AV delay generation and analysis
- 32+ video test signals standard
- Moving zone plate standard
- Text and logo ident
- 16 channel embedded audio
- Audio genlock Bi/Tri/SDI cross lock
- 16 channel audio metering
- Bitstream generation and analysis of Dolby E, Dolby Digital and Dolby Digital Plus
- AES Audio metering
- Waveform monitor
- Vectorscope
- Rugged reliability
- Ethernet based remote operation
- Battery and mains power

# PHABRIX SxA 3-in-1 Generator/Analyzer/Monitor

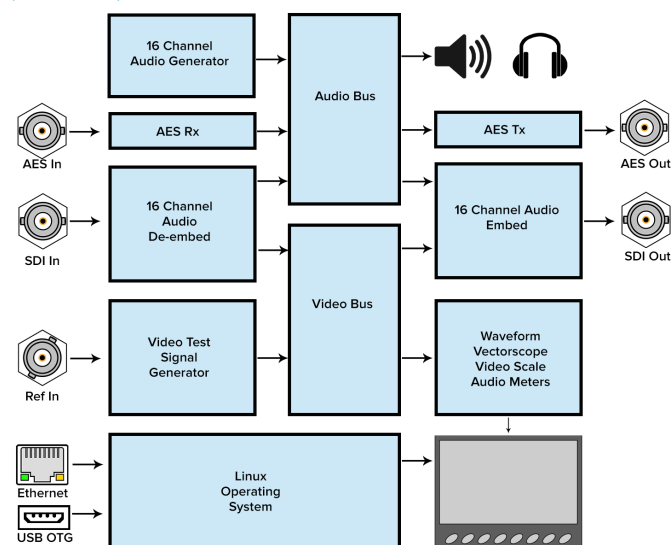


## Specifications

Monitor	
Display resolution	480 x 272 pixels auto scaling
Display type	16:9 24 bit color TFT
Display size	95 x 54mm
Processing	All digital
Video	
SDI	3G-SDI, HD-SDI, SD-SDI
Outputs	1 x 75 Ohm BNC
Inputs	1 x 75 Ohm BNC
Genlock	Bi/Tri/SDI with cross lock
Adjustable timing	0 to 1 frame
Text ident	Yes with font, color, point size
Logo ident	Yes
EDH	Yes (SD-SDI)
Video Test Signals	
Resolution	10 bits
Static Test Patterns	32+ including full frame
User defined	DPX, YUV, TGA, BMP
Zone plate	Yes
Video Inputs/Outputs	
SDI bit rates	3Gbps, 1.485Gbps, 270 Mbps
Frame rate selection	Yes
SMPTTE formats supported	See <a href="http://www.phabrix.com">www.phabrix.com</a>
Audio	
Internal speaker	0.5 W
Audio DAC	24 bit stereo
Headphone socket	3.5mm with auto line out
Generator/Monitor	48 kHz 20-bit (SD-SDI) 24-bit (HD-SDI)
AES Output	1 x 75 Ohm BNC
AES Input	1 x 75 Ohm BNC
Audio Test Signal	
Fixed tones	17
Variable tones	1 Hz-24 kHz in 1 Hz steps
Intermittent tone	Yes
White noise generation	Yes
Audio levels variable	0 to 100dB in 1 dB steps
Audio phase invert	Yes
General	
Navigation panel	5 menu keys, 8 custom select
Integral battery supply	2 hours lithium polymer
Internal storage	8GB
Remote control	Web browser interface
Ethernet	Yes
Carry case	Included
AC power supply	Included (universal)
Security	Kensington lock fitting
Size	H: 92mm, W: 225mm, D: 42mm
Weight	0.9Kgs

## Schematic of the SxA

(AES Version)



PHABRIX soft carry case and AC power supply included as standard



## Ordering Information

### Handheld Device

**PHSXAES** - SxA AES SD/HD/3G Handheld unit with PHABRIX soft carry case

### SxA Software Options

- PHSXOS** - Command Scripts and Reports (Repeat testing and create print report)
- PHSXOSD** - SDI Data Display + VANC/ANC Inspector
- PHSXOR** - Enhanced Remote Control integration
- PHSXOZ** - Advanced zone plate generator (Programmable Y zone plate)
- PHSXOF** - Advanced video formats + 2K (422/444, YUV/RGB, 10/12bit, SMPTE 428-9 D-Cinema/SMPTTE ST 2048-2:2011)
- PHSXO-DAG** - Dolby E/D/D+ analysis + generation (streaming, metering, timing)
- PHSXO-AVD** - AV Delay Analysis
- PHSXO-ENG** - Engineering bundle with six options, namely PHSXOS, PHSXOSD, PHSXOR, PHSXOZ, PHSXOF, PHSXO-DAG

### Accessories

**PHSXWM** - Sx Wall mounting bracket

### Extended Warranty

**PHSX-3YEAR** - 3 Year Warranty  
**PHSX-5YEAR** - 5 Year Warranty

Phabrix® Limited  
 Omega House, Enterprise Way, Thatcham, Berkshire  
 RG19 4AE  
 United Kingdom  
 tel + 44 (0)1635 873030  
 email: [info@phabrix.com](mailto:info@phabrix.com) [www.phabrix.com](http://www.phabrix.com)  
 PHABRIX is a registered trademark.

PHABRIX products are continuously being updated.  
 Please visit [www.phabrix.com](http://www.phabrix.com) for latest product information.  
 July 2023